

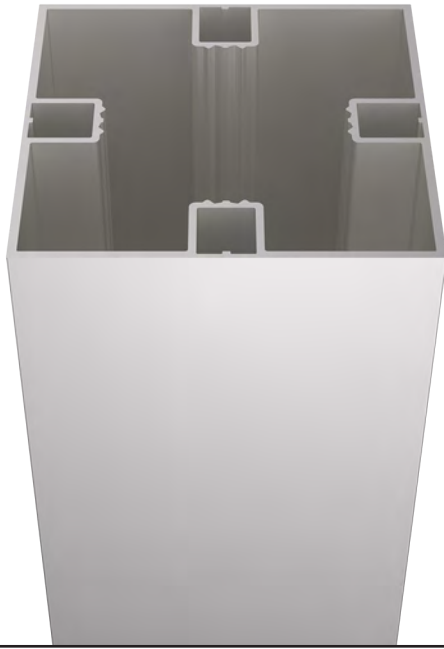
INTRODUCING MAX PLUS



Big . . .

Yet Flexible

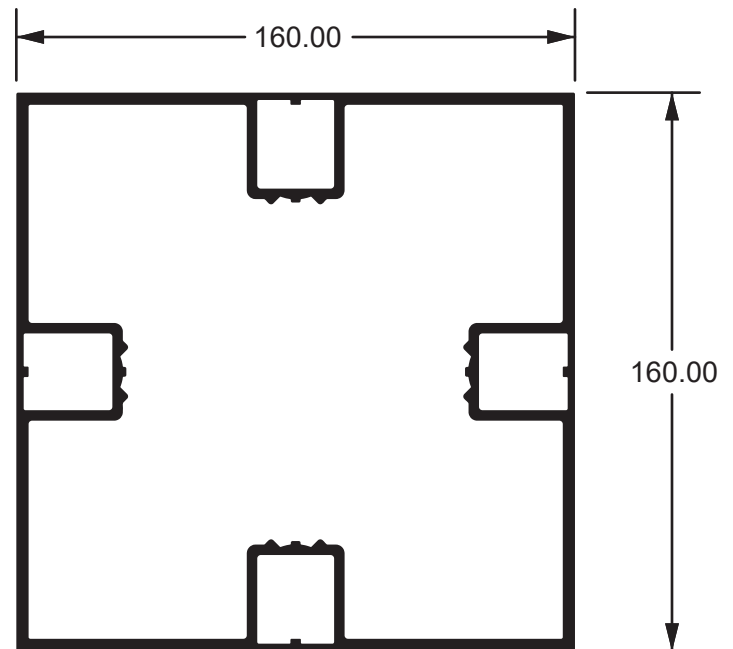
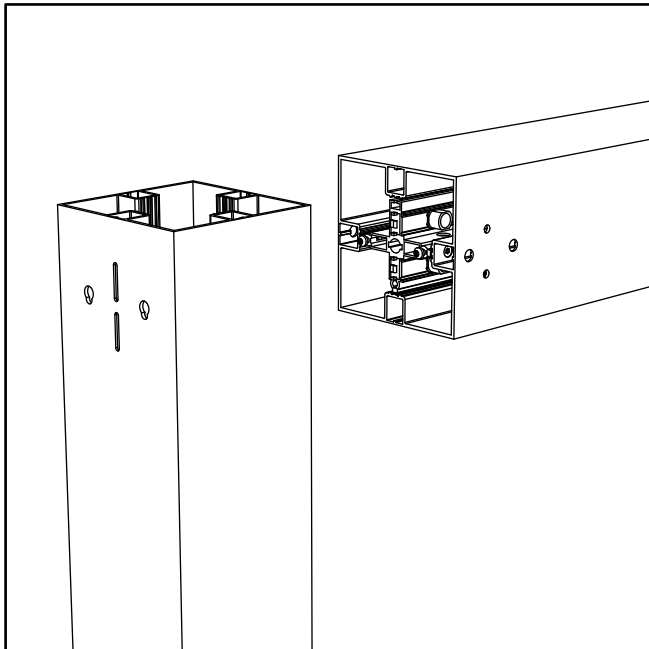
OCTANORM ®
NORTH AMERICA



MAX PLUS

Big . . .

Yet Flexible



Name an exhibit system that can be used to support SEG graphics, create giant light boxes, span 6 meters (20 ft) without deflection, support AV equipment, accept integrated lighting, support hanging signs & banners, and can be decorated in custom finishes such as wood, steel, concrete, marble, etc? Well, we can think of one. Let us demonstrate how the **big** features of Max Plus can provide you with more **flexibility**.



OCTANORM® North America, Inc.
701 Interstate West Parkway* Lithia Springs, GA 30122
Tel: (800)995-2995 * * * * * Fax: (770)732-1620
info@octanormna.com * * * * * www.octanormna.com

